

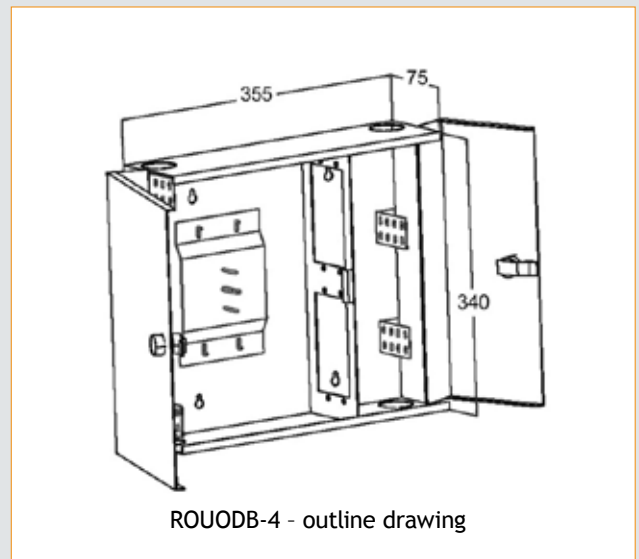
OPTIC DISTRIBUTION BOX (ODB)



The double-door Premise Interconnect Cabinet (ROUODB) is available from 6 to 96 fiber capacities. The cabinet is ideal in building entrance terminals, telecommunications closets, computer rooms and other controlled environments where space is limited. This double door cabinet provides segregated access for the end-user and the installer. Both doors are fully removable from base, which allows easy access during installation works and Optic network reconfiguration. End-users can reconfigure the connections without exposing the installation workspace. The cable strain-relief is facilitated with dual cable tie "brackets".

FEATURES

- Protection for facility and user connections
- For FTTH use - holder for microtubes included
- Removable door - easy access for Optic network installation and reconfiguration
- Bend radius protection allows management and rearrangement cable of slack
- Strain-relief for multiple inbound cables
- Labels provided for system documentation
- Optional kit adapts cabinet splice tray
- Durable powder coat finish
- Bonding and grounding stud provided
- Jumper strain relief brackets for outbound cable
- Passed the seismic tests according to ASME standards
- Approved for Construction of Nuclear Power Plant Components



TECHNICAL SPECIFICATIONS

PART NO.	FIBER PART CAPACITY			DIMENSIONS (HXWXD) MM	SHIP WGT (KG)
	CNPM-XX-06	CNPM-XX-08	CNPM-XX-12		
ROUODB-4	24	32	48	340 x 355 x 75	2.0
ROUODB-6	36	48	72	490 x 355 x 75	2.9
ROUODB-8	48	64	96	645 x 355 x 75	3.5

ORDERING INFORMATION

ROUODB-X						
Version ROUODB-4 ROUODB-6 ROUODB-8	Fiber Capacity 6, 12,..... fibers	Coupling Type FC=FC SC=SC ST=SC LC=LC LC Quad=LC MT-RJ=MJ MU=MU EZ000=E2	M= Multimode S =Singlemode A=APC	Fiber Termination Option B=Bend Radius Protectors C=Splice Cassette for 12 Splicing	Number of Splice Cassettes 0=No cassette (only BRP) 1- 8=Number of Splice Cassettes	Front Door Option 1=lockable 2=plastic latch